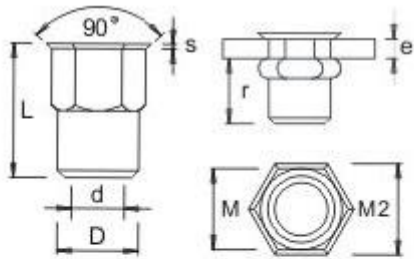


Blind Rivet Nuts - Knurled body - Reduced head - Metric hole sizes

Materials/Finishes:
 Steel/Zinc & yellow
 Stainless steel/Self colour (non-preferred)
 Aluminium/Self colour (non-preferred)

REDE/OESTKG

d Thread	L mm	e mm	r mm (approx.)	Hole size mm	D mm	B mm	s mm
M4	10	0.5-3.0	6.5	6	5.9	7.0	0.6
M5	11.5	0.5-3.0	8	7	6.9	8.0	0.6
M6	14.0	0.5-3.0	9.5	9	8.9	10	0.6
M8	15.5	0.5-3.0	11.5	11	10.9	12	0.6
M10	20.0	0.8-3.5	6.5	12	11.9	13.5	0.8



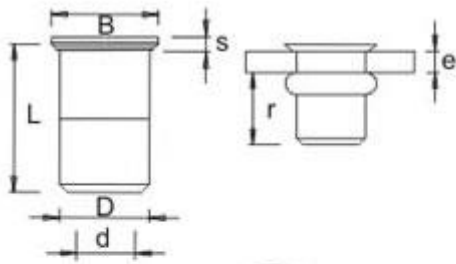
**Blind Rivet Nuts - Part hexagon body -
 Reduced head**

Materials/Finishes:
 Steel/Zinc & yellow
 Stainless steel/Self colour (non-preferred)
 Aluminium/Self colour (non-preferred)



REDX/OESTPG

d Thread	L mm	e mm	r mm (approx.)	Hole size M1 mm	M mm	M2 mm	s mm
M4	10.4	0.5-2	6.8	6.4	6.3	7	0.5
M5	11/8	0.5-3	6.7	7.3	7.2	8	0.6
M6	14.6	0.7-3	9.6	9.7	9.6	10.4	0.6
M8	16	0.9-3.3	9.5	10.7	10.6	11.6	0.6



Blind Rivet Nuts - Knurled body - Flange head

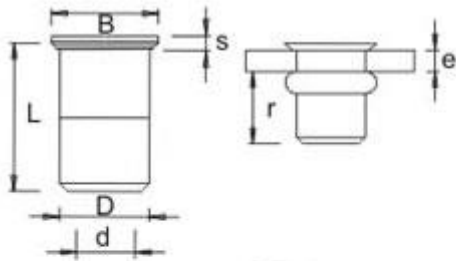
Materials/Finishes:
 Steel/Zinc & yellow
 Stainless steel/Self colour (non-preferred)
 Aluminium/Self colour (non-preferred)



SHORT/OESTKG/{Length}
MED/OESTKG//{Length}

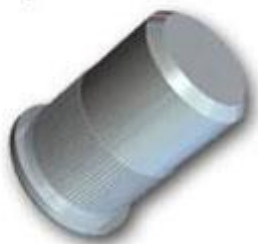
Thread	L mm	e mm	r mm (approx.)	Hole size mm	D mm	B mm	s mm
M3	10.0	0.5-3.0	-	5.0	4.9	7.0	0.9
M4 short	10.0	0.3-3.0	7.5	6.0	5	9.0	1.0
M4 medium	11.5	3.1-4.0					
M5 short	12.0	0.3-3.0	8.5	7.0	6.9	10.0	1.0
M5 medium	15.0	3.1-4.0					
M6 short	14.5	0.5-3.0	9	9.0	8.9	12.0	1.5
M6 medium	16.0	3.1-4.5					
M8 short	16.0	0.5-3.0	11.5	11.0	10.9	15.0	1.5
M8 medium	18.5	3.1-5.5					
M10 short	17.0	0.5-3.0	-	12.0	11.9	16.0	2.0
M10 medium	22.0	3.0-6.0					
M12	23.0	1.0-4.0	-	16.0	15.9	22.0	2.0

Longer Grip-Serts are available on request



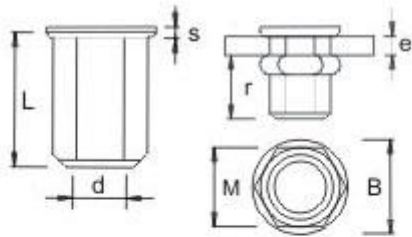
Blind Rivet Nuts - Knurled body - Closed end - Flange head

Materials/Finishes:
 Steel/Zinc & yellow
 Stainless steel/Self colour (non-preferred)
 Aluminium/Self colour (non-preferred)



FLG/CESTKG

d Thread	L mm	e mm	r mm	Hole size mm	D mm	B mm	s mm
M4	15.5	0.3-3.0	-	6.0	5.9	9.0	1.0
M5	18.0	0.3-3.0	-	7.0	6.9	10.0	1.0
M6	20.5	0.5-3.0	-	9.0	8.9	12.0	1.5
M8	25.0	0.5-3.0	-	11.0	10.9	15.0	1.5



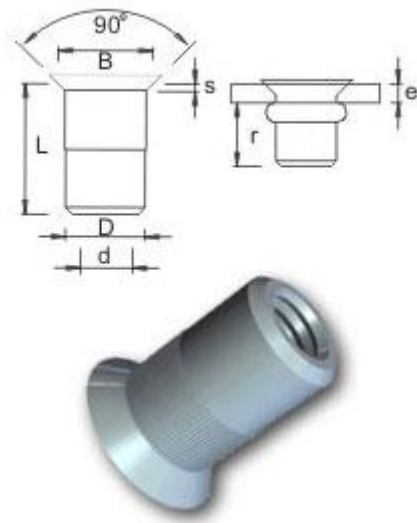
Blind Rivet Nuts - Hexagon body - Flange head

Materials/Finishes:
 Steel/Zinc & yellow
 Stainless steel/Self colour (non-preferred)
 Aluminium/Self colour (non-preferred)



FLGX/OESTPG

d Thread	L mm	e mm	r mm (approx)	Hole size M1 mm	M mm	B mm	s mm
M4	11.5	0.5-3.0	5	6.1	6.0	9.3	1.0
M5	13.5	0.5-3.0	7.2	7.1	7.0	10.3	1.0
M6	15.5	0.5-3.0	9.7	9.1	9.0	12.3	1.5
M8	17.5	0.5-3.0	10.8	11.1	11.0	14.3	1.5
M10	22.0	1.0-4.0	12.8	13.1	13.0	16.3	2.0

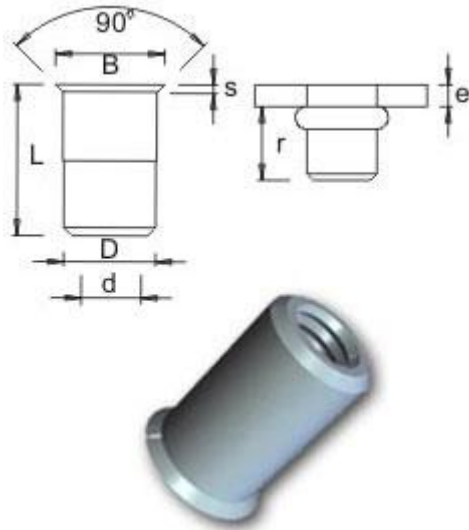


Blind Rivet Nuts - Knurled body - Countersunk head

Materials/Finishes:
 Steel/Zinc & yellow
 Stainless steel/Self colour (non-preferred)
 Aluminium/Self colour (non-preferred)

CSK/OESTKG

d Thread	L mm	e mm	r mm	Hole size mm	D mm	B mm	s mm
M4	11.5	2.0-3.5	-	6.0	5.9	9.0	1.5
M5	13.5	2.0-4.0	-	7.0	6.9	10.0	1.5
M6	16.0	2.0-4.5	-	9.0	8.9	12.0	1.5
M8	19.0	2.0-4.5	-	11.0	10.9	14.0	1.5
M10	21.0	2.0-4.5	-	12.0	11.9	14.7	1.5

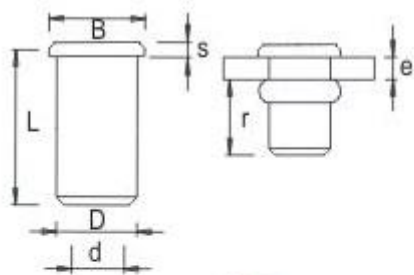


**Blind Rivet Nuts - Reduced Head -
 Stainless Steel**

Materials/Finishes:
 Stainless steel/Self colour

REDE/OEA2PG/SF

d Thread	L mm	e mm	r mm (approx.)	Hole size mm	D mm	B mm	s mm
M4	10	0.5-2.5	6.5	6	5.9	7.0	0.6
M5	11.5	0.5-3.0	8	7	6.9	8.0	0.6
M6	14.0	0.5-3.0	9.5	9	8.9	10	0.6
M8	15.5	0.5-3.0	11.5	11	10.9	12	0.6
M10	19.5	0.8-3.5	6.5	13	12.9	14.5	0.8



Blind Rivet Nuts - Flange head - Stainless Steel

Materials/Finishes:
 Stainless steel/Self colour



FLG/OEA2PG/SF

d Thread	L mm	e mm	r mm (approx.)	Hole size mm	D mm	B mm	s mm
M4	10	0.3-2.5	6.5	6	5.9	9.0	1.0
M5	12.0	0.3-3.0	8	7	6.9	10.0	1.0
M6	14.5	0.5-3.0	9.5	9	8.9	12.0	1.5
M8	16.0	0.5-3.0	11.5	11	10.9	15.0	1.5
M10	17.0	0.5-3.0	-	13	12.9	16.0	2.0